

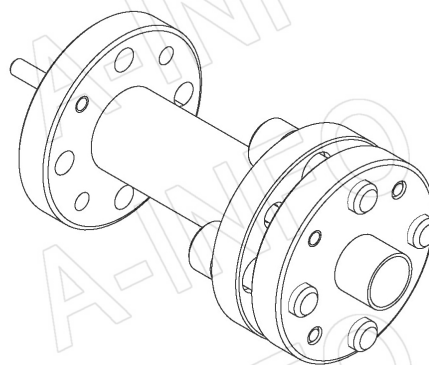
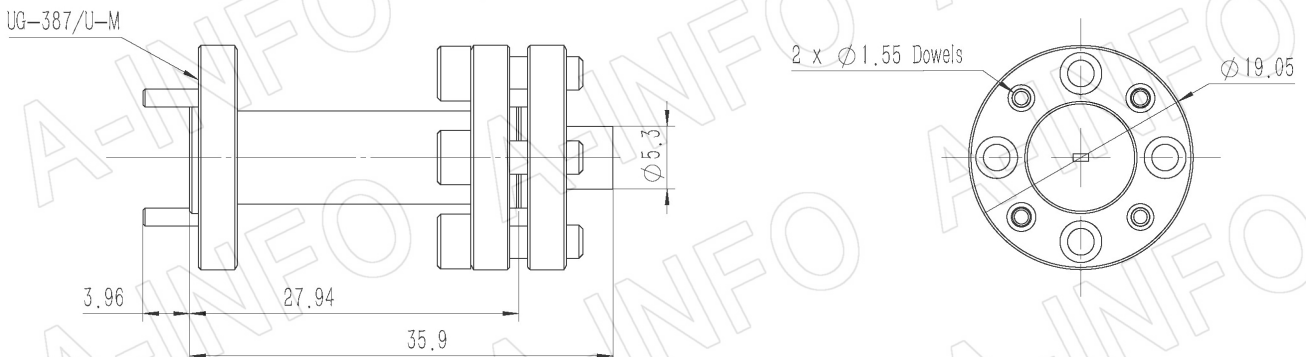
For reference only. See data sheet for the detailed specifications.

Technical Specification



Frequency Range(GHz)	140.0 – 220.0	
Waveguide	WR5	
Gain(dBi)	15 Typ.	
Polarization	Linear	
3dB Beamwidth(deg)	E Plane:	22 Typ.
	H Plane:	26 Typ.
Cross Pol. Isolation(dB)	35 Typ.	
VSWR	1.25:1 Max.	
Output	UG-387/U-M	
Material	Cu	
Finish	Gold Plated	
Size(mm)	19.05 x 19.05 x 35.9	
Net Weight(Kg)	0.04 Around	

Outline Drawing (Size: mm)



AINFO Inc.

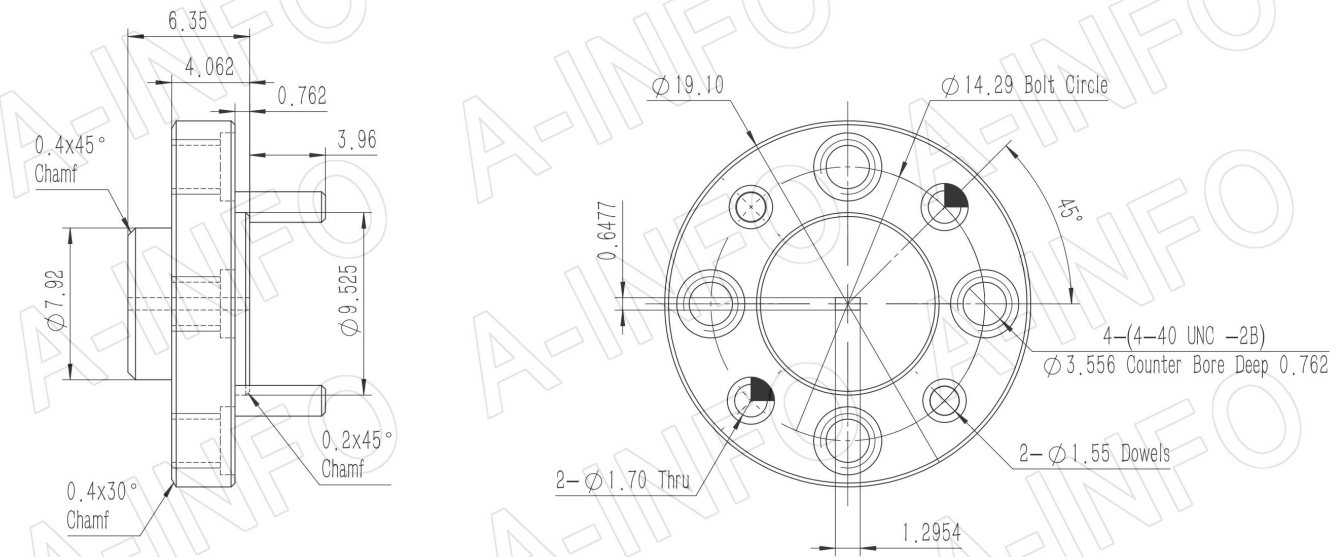
China(Beijing): Tel: (+86) 10-6266-7326,
China(Chengdu): Tel: (+86) 28-8519-2786,
USA: Tel: (+1) 949-639-9688,

Page 1 of 4

(+86) 10-6266-7327 Fax: (+86) 10-6266-7379
(+86) 28-8519-3044 Fax: (+86) 28-8519-3068
(+1) 949-639-9608 Fax: (+1) 949-639-9670

Website: www.ainfoinc.com
Email: sales@ainfoinc.com

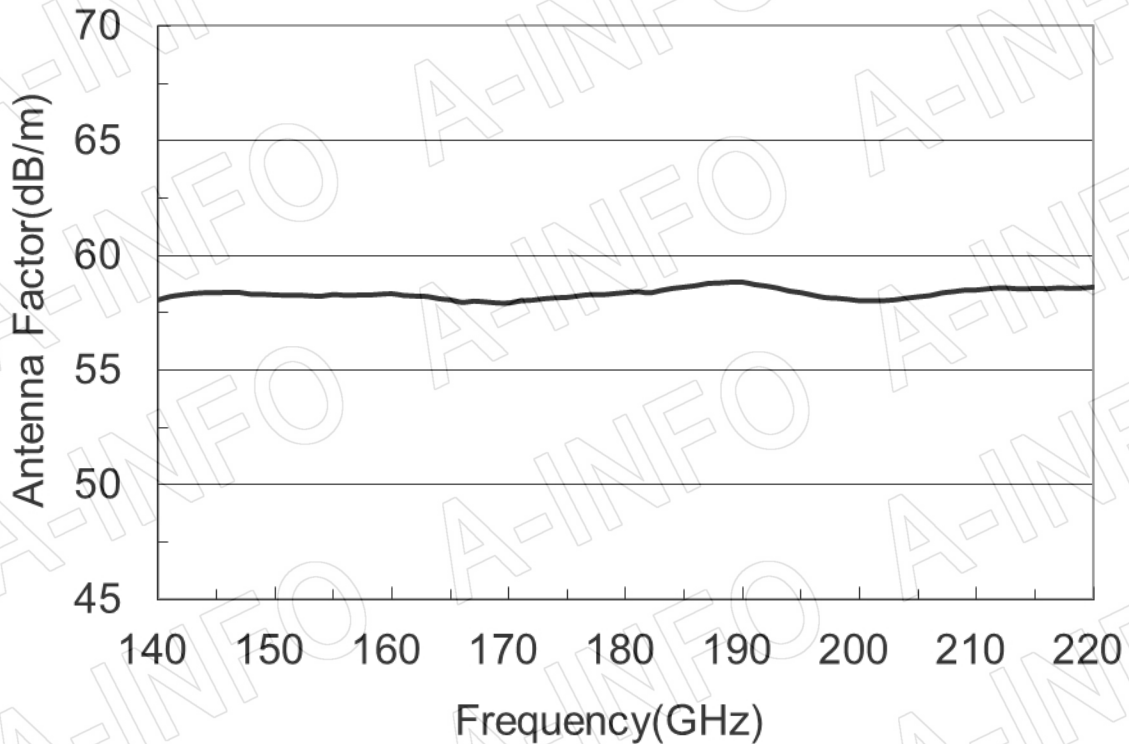
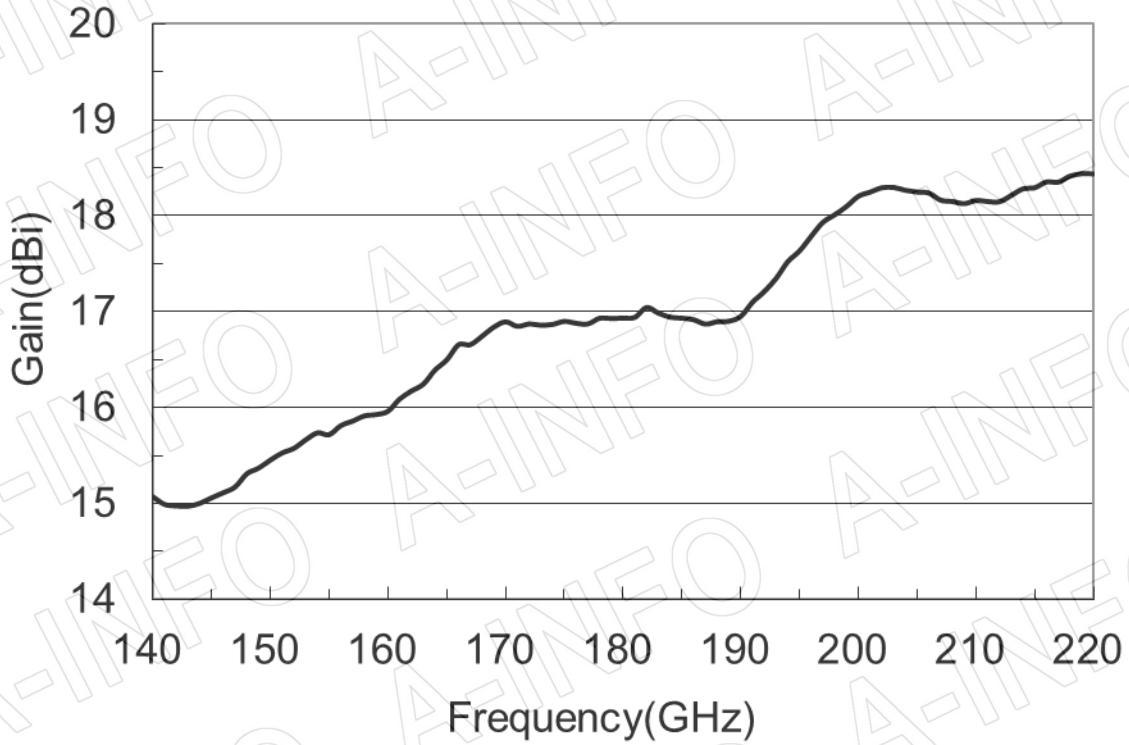
Flange Drawing (Size: mm)



UG-387/U-M

Test Results

1. Gain & Antenna Factor



2. Pattern

